

ARLITECH

## HDN40 Series



## Features

- 2:1 Wide Input Voltage Range
- Available RoHS Compliant
- UL, CE Safety Approving
- Industry-Standard Eighth-Brick
- 57.91 x 25.40 x 12.46 mm package
- 2 Years Warranty

## SAFETY&EMC

### SAFETY

- UL *UL60950-1(Pending)*
- TUV *EN60950-1(Pending)*

### EMC

- Conduction *EN55022 (Class B)*
- Radiation *EN55022 (Class B)*

## Specifications

### Input

- Input Voltage Range *36~75 Vdc(48V Nom.)*
- Input Surge Voltage *100Vdc(100ms Pulse)*
- Input Filter *C Type*
- Reflected Ripple Current *100mA p-p*
- Start-up Time *150ms*
- Enable(Optional) *Positive/ Negative*

### Output

- Output Power *40W*
- Min Load Current *None*
- Voltage Accuracy *±2%*
- Line Regulation *±1%*
- Load Regulation *±1%(10%~100% load)*
- Transient Recovery Time *250us*
- Transient Response Deviation *±4% of Vout(25% load step)*
- Temperature Coefficient *±0.02%*
- Ripple/Noise *100mV (12V,15V,20V)  
50mV (2.5V,3.3V, 5V)*

### Protection

- Over Voltage Protection *(Zener Diode clamp)*
- Over Load Protection *(Fold Back)*
- Short Circuit Protection *(Auto Recovery)*
- Under Voltage Protection (Input)

### General

- Isolation Voltage (In/Out) *1600 Vdc*
- Isolation Capacitance *680pF*
- Isolation Resistance *1G ohm*
- Weight *30g*

## Environmental

- Operating Temperature *-40°C~120°C ( Derating)*
- Storage Temperature *-55°C~125°C*
- Cooling *Free air convection*
- Humidity *20% ~ 95%RH*
- MTBF *>1.5 Million hours*

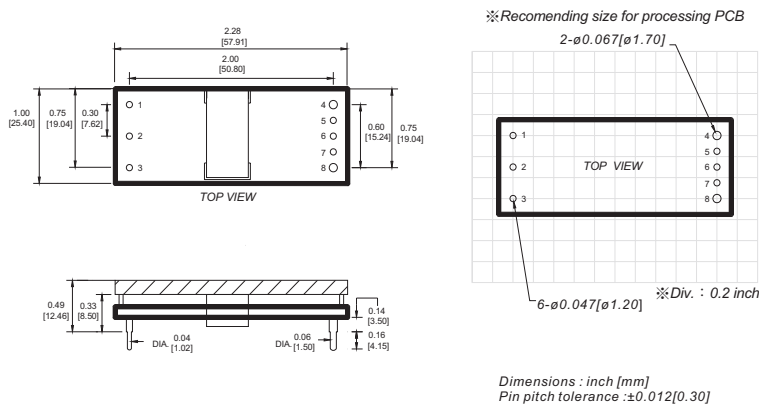
## Ordering Information

SBS Power Electronic GmbH & Co.KG  
 Weidenstrasse 19, 21635 Jork  
 Tel:04162-911123 Info@SBS-Power.de

Module Number	Output Voltage	Output Current	Efficiency	Capacitor Load
HDN40-48S3P3	3.3V	12A	88%	8200uF
HDN40-48S05	5V	8A	89%	6800uF
HDN40-48S12	12V	3.3A	90%	3300uF
HDN40-48S15	15V	2.6A	91%	2200uF

## Pin Define

Pin No.	1	2	3	4	5	6	7	8
Single	+VI	<b>ENABLE (OPTION)</b>	-VI	+VO	+SENSE	TRIM	-SENSE	-VO



### Notes

- All specification are typical at nominal line, full load ,and 25 °C ambient air temperature.
- Ripple/Noise measured with a 1uF M/C and 100uF E/C(20MHz bandwidth).
- Certain applications may require to install an external 2A slow blow type fuse in front of the input.
- To measure input reflected ripple current must with a simulated source inductance of 12uH, and capacitor of 220 uF offsets possible battery impedance, capacitor of 33uF mounted close to the module help ensure the stability.